



India's Leading
Clothes Drying Systems



Pulley System

Indoor : Balcony, Passage, Bedroom, Bathroom



Outdoor : Open Terrace, Alternate Terrace, Weather Shed



'L' Angle required for External Fitting

- 31" : Used for 4 pipes
- 43" : Used for 6 pipes



Supplied with Nails required for fitting.

Kit Consists of :

- Carrying Bag with Handle
- Aluminium Pipes (4 with connector, 4 without connector)
- Channel Pair : 1 with Double Pulley 1 with Single Pulley
- Rope : 4 long & 4 short ropes of required length
- Fitting Material Pouch consists of Special Lock Assembly 4 nos, Channel Mounting Screws 8 nos, Rope End Cap 4 nos, Pipe End cap 8 nos, FeviKwik Tube 1, Raval Plugs 12 nos.

KIT



ALUMINIUM PIPES



CHANNEL PAIR



LOCKS



FITTING MATERIAL



Sizes : 5ft, 6ft, 7ft, 8ft, 9ft

4 Pipes in each kit

Pipe size (ft.)	5	6	7	8	9
Kit size (ft.)	3	3.5	4	4.5	5
Weight (kg.)	2.3	2.4	2.6	2.9	3.1

Technical Specifications :

- **Aluminium Pipes** : O.D. 22 mm., I.D. 19.8 mm.
- **Channel (with mounted pulleys)** : 24" length
- **Pulley** : Delrin
- **Rope** : 4 mm. diameter HDPE Double Core
- **Channel Mounting Screws** : 38 x 8 Self Tapping

Wall Stands

1. Stands useful for small space
2. Can be folded when not in use

3. Base frame in Round MS Pipe (Powder Coated)
4. Clothes Drying Rack : 202 grade S.S.

Mural 15 : Single Layer



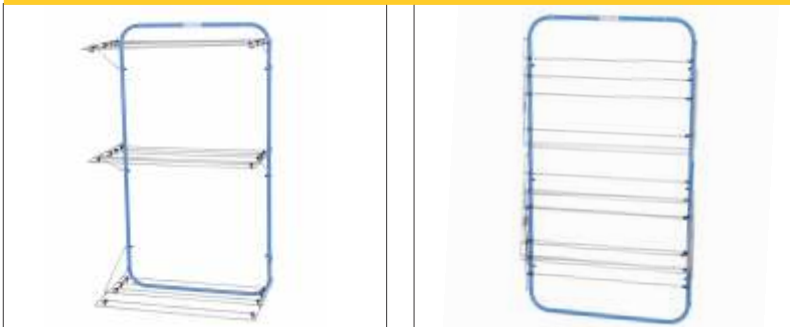
Drying Length	15'
Size when Open	18.5" x 30" x 8"
Size when Folded	30" x 8" x 2"
Weight (kg.)	1.5

Mural 30 : Double Layer



Drying Length	30'
Size when Open	18.5" x 30" x 31"
Size when Folded	30" x 31" x 4"
Weight (kg.)	3.1

Mural 45 : Triple Layer



Drying Length	45'
Size when Open	18.5" x 30" x 51"
Size when Folded	30" x 51" x 4.5"
Weight (kg.)	3.6

Mural Rotator : Double Layer



Drying Length	30'
Size when Open	33" x 38" x 10"
Size when Folded	33" x 20" x 4"
Weight (kg.)	3

Mural Balco : Single Layer



Portable wall / railing stand.
Fits easily on either sides of
balcony wall / railing.

Drying Length	15'
Size when Open	18" x 29" x 10"
Size when Folded	24" x 29" x 4"
Weight (kg.)	2.5

Floor Stands

1. Stands useful for small space
2. Can be folded when not in use

3. Base frame in Round MS Pipe (Powder Coated)
4. Clothes Drying Rack : 202 grade S.S.



Maxima 30 : Single Layer (X)

Drying Length	30'
Size when Open	24" x 40" x 36"(h)
Size when Folded	24" x 51" x 3"
Weight (kg.)	3.6



Maxima 45 : Single Layer (A)

Drying Length	45'
Size when Open	29" x 38" x 39"(h)
Size when Folded	29" x 38" x 6"
Weight (kg.)	5.5



Maxima 80 : Double Layer

Drying Length	80'
Size when Open	29" x 52" x 55"(h)
Size when Folded	29" x 52" x 4.5"
Weight (kg.)	8



Traveller : Portable Clothes Hanger

A light weight portable clothes hanger for all doors

Size	11"(L) x 12"(H) x 2"
Weight	250 gms.



Easy Stool :

An Ideal Travel Companion

A light weight & Completely foldable
1mm thick aluminium anodised pipes
Water proof seat fabric

Size when Open	11"W x 11" L X 18" H
Size when Folded	4"W x 4" L X 23" H
Weight (kg.)	700 grams



Easy Dry Systems Private Limited,

Shop No. 8, Sankla Arcade, Opp. Telephone Exchange, Karve Rd., Pune 411 004.

Call : 8888 505 404, 9922 915 482, 020 2545 6843

Email : marketing@easydrysystems.com